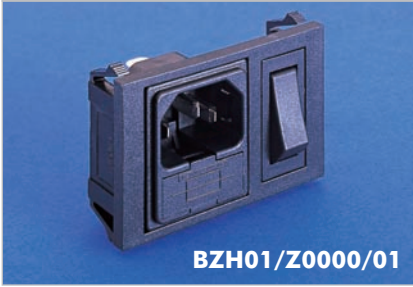
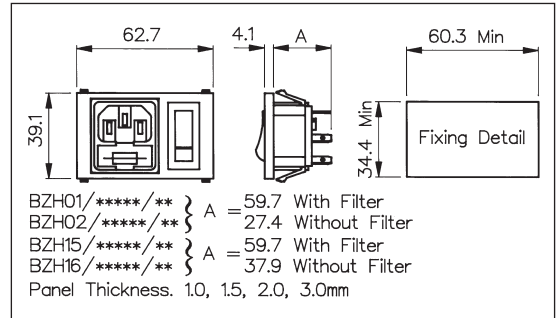


C14 IEC Fused Inlet - Horizontal

HORIZONTAL MODULE ARRANGEMENT



- Fused Inlet with 2.8mm or 6.3mm tags
- Single Pole Switch Variations
- Filtered Inlet Option
- Options of I/O marked switches



How to Order

**BZH xx / xxxxx / xx**

Type of Inlet / Outlet	Filtered or Non Filtered Inlet	Combination of Other Components
Single Fused C14 Power Inlet (cold condition), 2.8 or 6.3mm tabs:  <b>01</b> = PF0011/63 <b>02</b> = PF0011/28  Twin Fused C14 Power Inlet (cold condition), 2.8 or 6.3mm tabs:  <b>15</b> = PF0033/63 <b>16</b> = PF0033/28	Z0000 = Non Filtered  Axxxx = Standard  Bxxxx = Medical (Twin Fuse Version only)  <div style="border: 1px solid black; padding: 5px; width: fit-content; margin: 10px auto;">                         For Filtered inlet use 6th to 9th characters from                          filter ordering code see pages 127-129.                           E.g. BZH01/<b>A0620</b>/01                     </div>	Single Pole Switch:  <b>01</b> = S.P. Switch  Single Pole Neon Switch:  <b>02</b> = S.P. Red Neon Switch <b>08</b> = S.P. Green Neon Switch  Neon Indicator:  <b>03</b> = Red Neon Indicator  Single Pole High Inrush Switch:  <b>46</b> = S.P. High Inrush Switch  Single Pole Switch Marked I/O:  <b>69</b> = S.P. Switch (I/O)  Single Pole Neon Switch Marked (I/O):  <b>71</b> = S.P. Red Neon Switch (I/O) <b>74</b> = S.P. Green Neon Switch (I/O)  Single Pole High Inrush Switch Marked (I/O):  <b>98</b> = S.P. High Inrush Switch (I/O)

Note: For technical details of individual components please see page 106